

VECO VANSONIC ENTERPRISE CO., LTD.

8F., No. 7, Lane 16, Sec. 2, Szechwan Road, Panchiao, Taipei Hsien, TAIWAN.

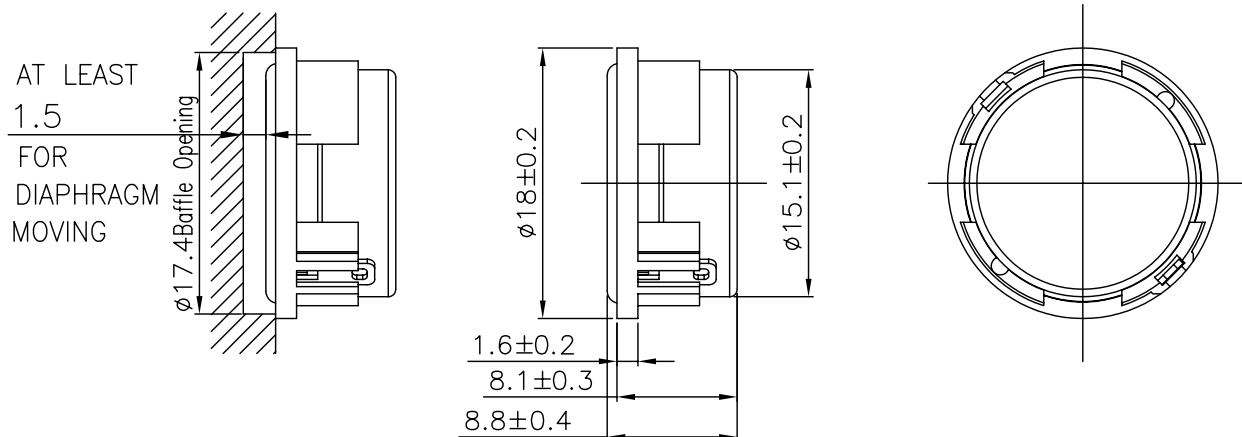
TEL: +866-2-29626335

FAX: +866-2-29625220

E-MAIL: vansonic@ms4.hinet.net

| | | | | | |
|-----|---|---|------------------------------|------------------------|--------------------------------------|
| 1. | MODEL: | P18RE08-3-1 | | | |
| 2. | Dimension | Outer Diameter | 18 ϕ mm. | Baffle Opening | 17.4 ϕ mm. |
| | | Height | Refer to Drawing . | Weight | 6.2 Grams. |
| 3. | Magnet | Materials | Rare Earth . | Size | ϕ 7.5X2.0 mm. |
| 4. | Resistance | 8 Ω | \pm 15 % | AT | 1000 Hz. |
| 5. | Power Rating | Normal | 2.0 W. | Maximum | 2.5 W. |
| 6. | Lowest Resonant Frequency | 550 | \pm | 20 % | Hz. |
| 7. | Output Sound Pressure Lever (S.P.L.) | 80 | \pm | 3 db / 1.0 Watt | \cdot 0.5 Meter. |
| | | Average at | 800, 1000, 1200, 1500 | Hz. | |
| 8. | Frequency Range | 350 | \sim | 20000 Hz. | Average S P L - 10 db. |
| 9. | Distortion | 5 % | Maximum At | 1000 Hz. | 1.0 W. |
| 10. | Abnormal Sound Test | Must Be Normal Tested By 4.0 Volts. Sine Wave. | | | |
| 11. | Load Test | pink Noise With Weighted Filter 4.0 Volts.(RMS) 24 Hrs. | | | |
| 12. | Polarity | Diaphragm shall move Forward when Apply a Positive DC. | | | |
| | | Current to the "+" or "Marked" Terminal. | | | |

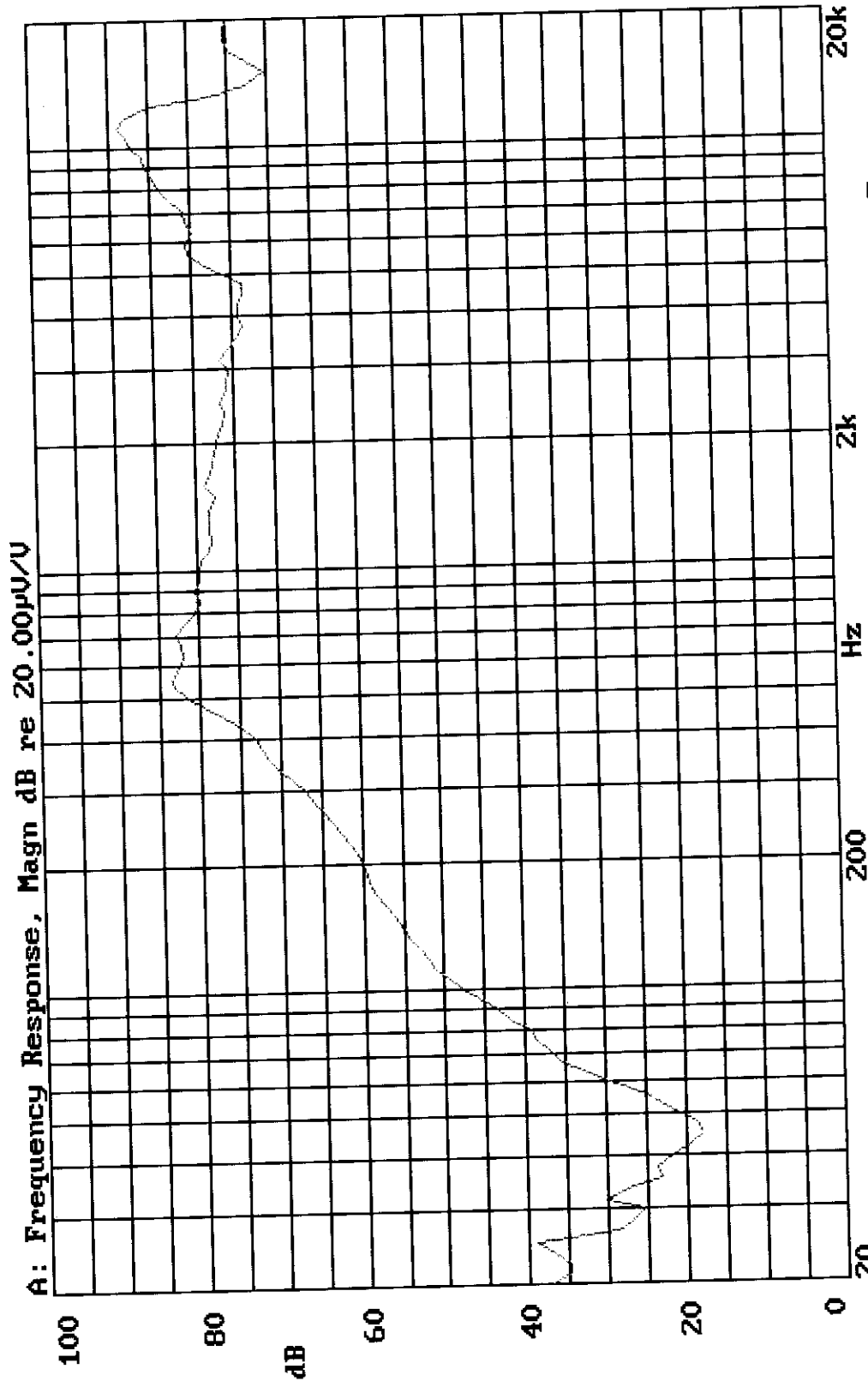
MOUNTING NOTICE



Unit : mm

Housing Material : ABS

P18RE08-3-1 VOL:2.83V(1W) DIS:0.5M VANSONIC



20-MAY-2004 08:51:49

Mode: AMPCAL