

## 1mm Contact Spacing, ZIF Type Board To FPC Connectors EFC-PM22 SERIES

### ■ FEATURES

- 1mm contact spacing.
- No. of contacts: 4~32 pin.
- Connector Height: 2.7mm
- Available in tube or embossed type for automatic mounting.

### ■ SPECIFICATIONS

#### 1.ELECTRICAL

- Voltage rating: 200VAC
- Current rating: 0.5A
- Contact resistance:  
20mΩ max.(initial)  
40mΩ max.(final)
- Insulation resistance: 100MΩ min.

#### 2.MECHANICAL

- Durability: Mate & Unmate with applicability for 20 times, Contact resistance: 20mΩ max.(initial), 40mΩ max.(final)
- Operating force (Slider): 0.2kgf\*n (1.96N\*n) max. (n: Pin)
- Cable holding force: 0.05kgf\*n (0.49N\*n) min. (n: Pin)
- Contact retention force: 0.5kgf (0.98N) min.

### ■ MATERIALS

#### 1.MATERIAL

- Contacts: Copper Alloy
- Insulator Housing:  
High Temp. Thermoplastic
- Slide: High Temp Thermoplastic
- Hold Down: Copper Alloy

#### 2.PLATING

##### Contact:

- Nickel In All Area
- Au over Nickel (RoHS Compliance)
- Tin over Nickel (RoHS Compliance)

##### Hold Down:

- Nickel In All Area
- Hold Down: Tin over Nickel (RoHS Compliance)

### ■ PACKING

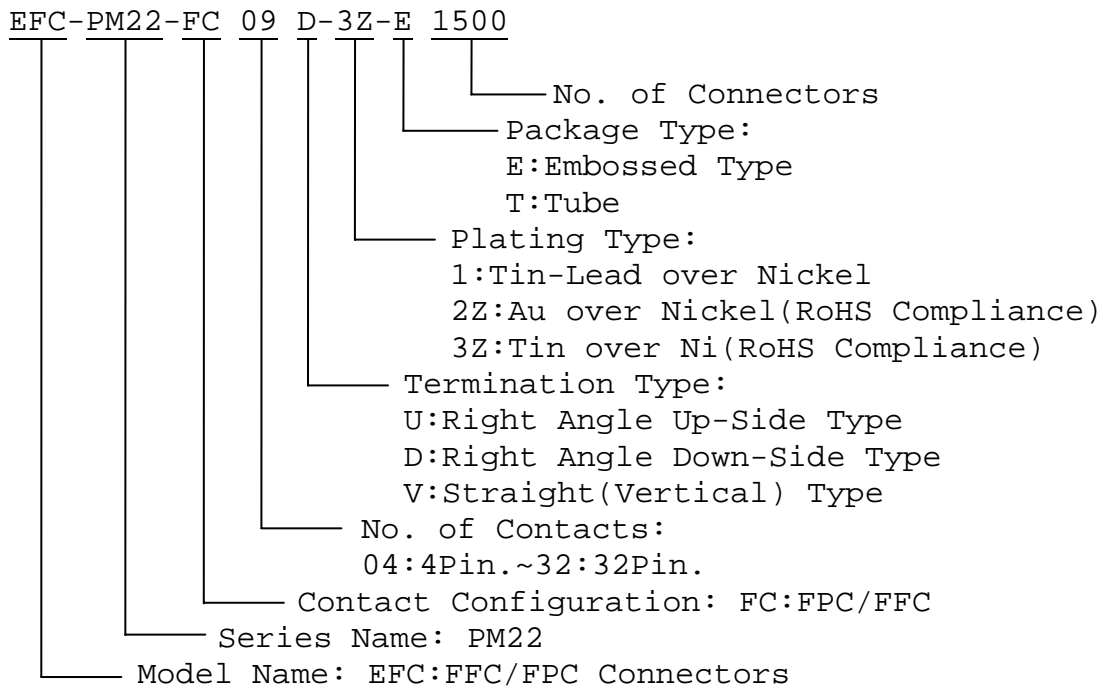
#### 1.Packing method

1-1.All connector are packed in reel or tube methods.

#### 2.Information on label (stuck to each ploy bag, reel and box)

(1)Part NO.      (2)Section.      (3)Lot NO.      (4)Quantity.  
(5)QC stamp.    (6)Reprocess NO.    (7)ECE mark.

## ■ PART NUMBERING SYSTEM

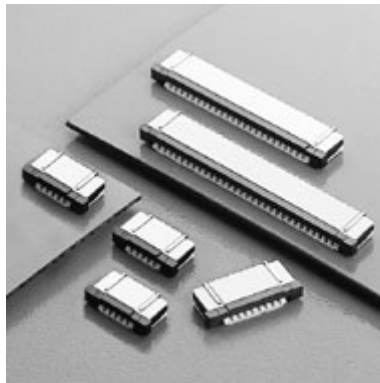


## ■ DRAWING

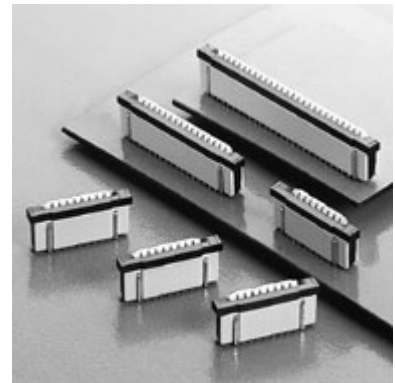
**EFC-PM22-FC\*\*U-3Z**



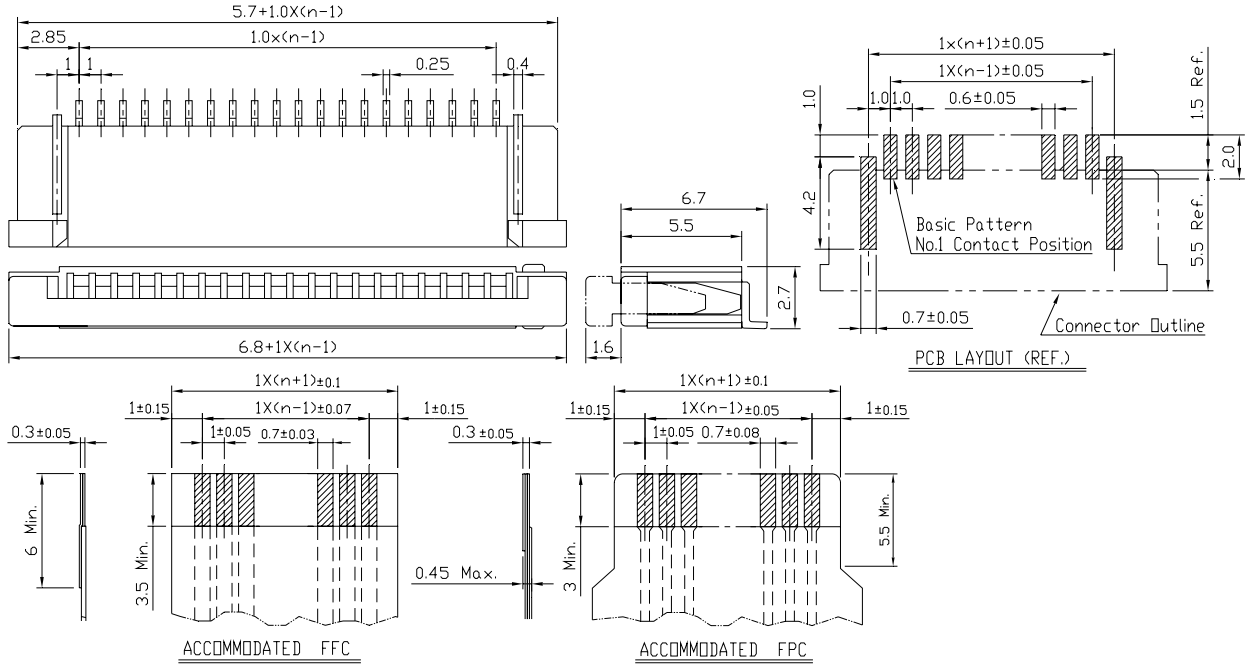
**EFC-PM22-FC\*\*D-3Z**



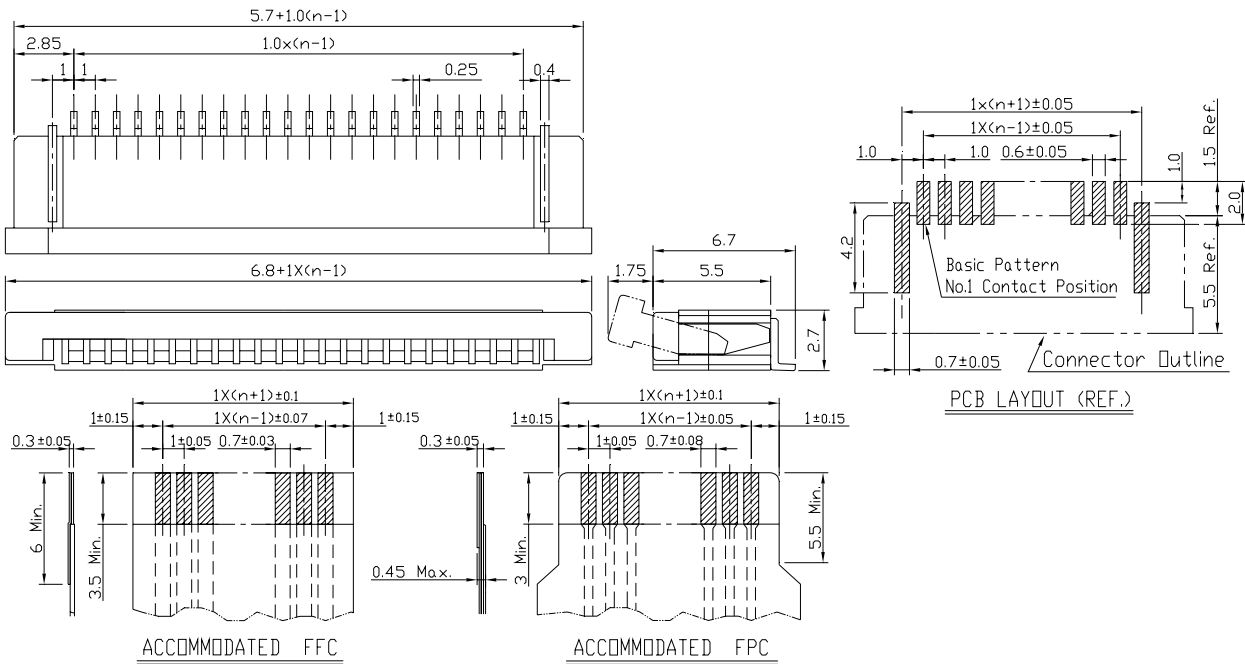
**EFC-PM22-FC\*\*V-3Z**



EFC-PM22-FC\*\*U-3Z(RoHS Compliance) UNIT:mm  
Connection Style:Right Angle Up side Type



EFC-PM22-FC\*\*D-3Z(RoHS Compliance) UNIT:mm  
Connection Style:Right Angle Down Type



EFC-PM22-FC\*\*V-3Z(RoHS Compliance) UNIT:mm  
Connection Style: Straight Type

