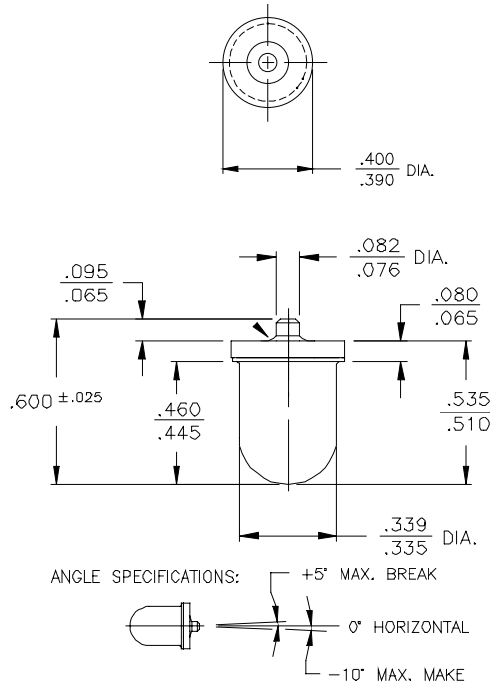


Part No: 20703 - A1S Series Tilt Switch – Non Mercury



- Features:**
- * Un-Insulated
 - * Form: NO/NC/SPST/Mount dependent
 - * Angles Referenced from Horizontal
 - * Single Electrode
 - * Hermetically Sealed
 - * Small Package Size
 - * Narrow Included Angle
 - * High Current Capability
 - * Low Contact Resistance
 - * Long Life



Drawing dimensions in inches.

Tilt switches “make” when the electrode is tilted below horizontal and “break” when tilted above the horizontal. Total travel from “make” to “break” is the “Maximum included angle” shown below. The component to which the switch is attached must have a total tilt angle greater than the “Maximum included angle” for proper operation.

Must Make / Break Angle * :	- 10° / + 5°
Maximum included Angle:	15°
	* Make/break angles are electrode + (above) / - (below) 0° horizontal reference
Switch Ratings:	
Max Switching Voltage:	12V DC
Max Switching Current:	2A
Initial Contact Resistance (Max):	0.095 Ohms Max @ 2A (-26° below horizontal)
Stand Off Voltage (contact to contact):	1kV AC
Operating Temperature:	-37° to 220° F / -38° to 105° C
Storage Temperature:	-40° to 356° F / -40° to 180° C
Typical number of operations at specified load:	10,000,000
G-Force Activation G-Level/Range:	N/A
Dimensions:	
Weight per 1000pcs. Lbs / Kgs:	7.44 / 3.38
Body Length (less leads). Inches / Millimeters:	0.535 / 13.59
Maximum Diameter. Inches / Millimeters:	0.40 / 10.16
Materials:	
Lead Wire Type:	N/A
Lead wire length/skive/termination:	N/A
Finish:	Tin



© American Electronic Components Inc 2006

American Electronic Components Inc.,
 1101 Lafayette Street, Elkhart, Indiana. USA
 Tel: +1-574-295-6330 Fax: +1-574-293-8013
 Email: sales@aecsensors.com
<http://www.aecsensors.com>