

VECO VANSONIC ENTERPRISE CO., LTD.

8F., No. 7, Lane 16, Sec. 2, Szechwan Road, Panchiao, Taipei Hsien, TAIWAN.

TEL: +866-2-29626335

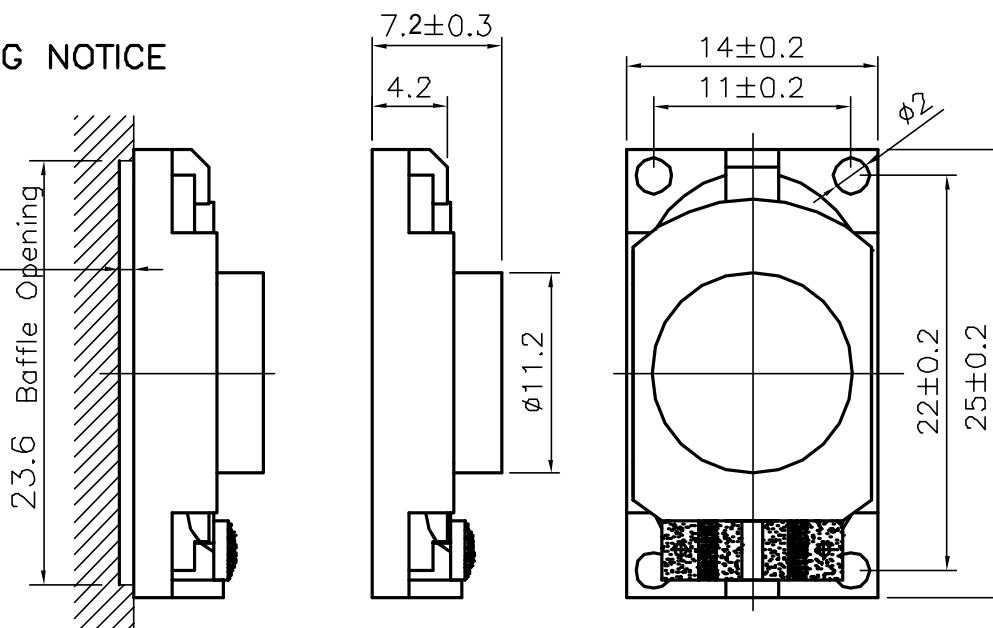
FAX: +866-2-29625220

E-MAIL: vansonic@ms4.hinet.net

1.	MODEL:	25KP08
2.	Dimension	Outer Diameter 25X14 mm. Baffle Opening 23.5X13.5 mm.
		Height Refer to Drawing . Weight 3.6 Grams.
3.	Magnet	Materials Rare Earth . Size ϕ 7.5X2.0 mm.
4.	Resistance	8 \pm 15 %
5.	Power Rating	Normal 2.0 W. Maximum 2.5 W.
6.	Lowest Resonant Frequency	580 \pm 20 % Hz.
7.	Output Sound Pressure Lever (S.P.L.)	80 \pm 3 db / 1.0 Watt . 0.5 Meter.
		Average at 800, 1000, 1200, 1500 Hz.
8.	Frequency Range	400 ~ 20000 Hz. Average S P L - 10 db.
9.	Distortion	5 % Maximum At 1000 Hz. 1.0 W.
10.	Abnormal Sound Test	Must Be Normal Tested By 4.0 Volts. Sine Wave.
11.	Load Test	pink Noise With Weighted Filter 4.0 Volts.(RMS) 96 Hrs.
12.	Polarity	Diaphragm shall move Forward when Apply a Positive DC.
		Current to the "+" or "Marked" Terminal.

MOUNTING NOTICE

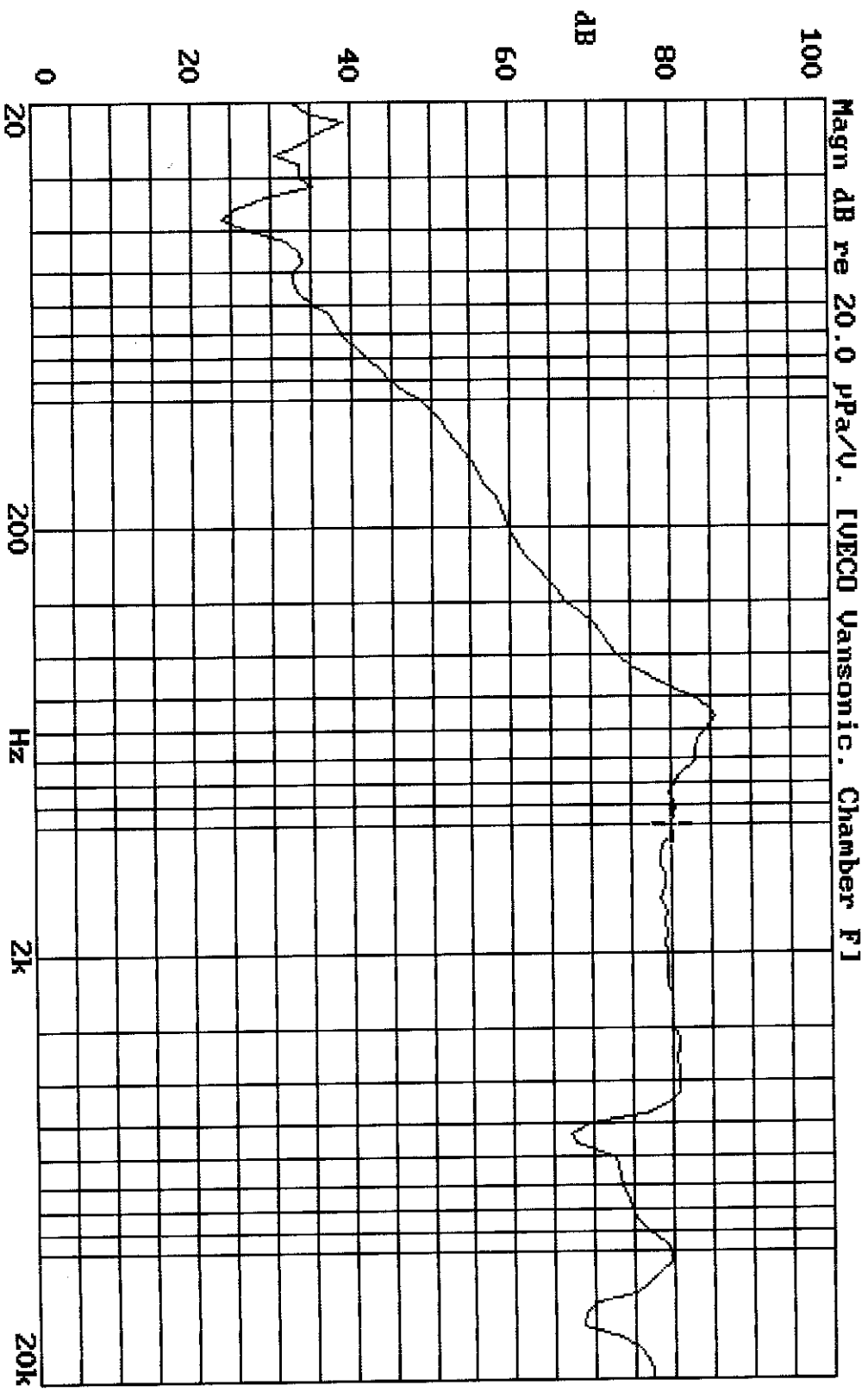
AT LEAST
0.8mm
FOR
DIAPHRAGM
MOVING



Unit : mm

Housing Material : ABS

25KPO8 VOL:2.828V(1W) DIS:0.5M VANSOONIC
X:1.0000KHZ *Y:79.96dB ZA:1.0000 SSR Fund.



24-JUN-2003 17:38:05
Mode: SPEAKER

