

Description

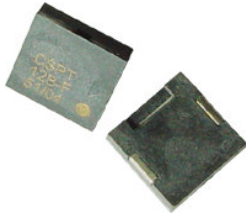
CSPT12B03-4.0F:

Chinasound SMD Piezo Transducer 12mm length, type B(=12mm width, 2.7mm height), 3Vp-p rated voltage – 4.0KHz resonant frequency, lead Free reflowing solderable and RoHS compliant

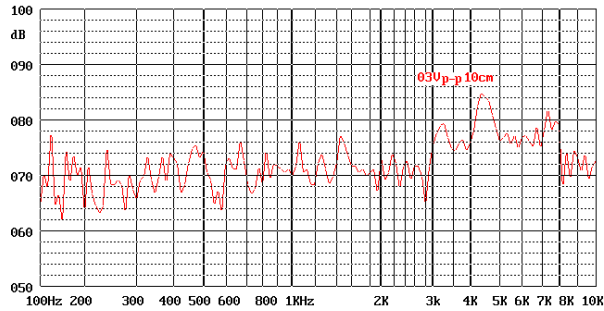
◆ **RoHS compliant**

- ◆ Reliable Solid State Piezoelectric Technology
- ◆ Corrosion Resistance Diaphragm
- ◆ Flame Retardant Plastic
- ◆ Tape and reel packaging for auto mounting

Picture



Characteristics



Specification

- Operating Voltage
- Operating Frequency
- Typical Sound Output
- Rated Current
- Capacitance
- Operating Temperature
- Storage Temperature
- Termination
- Construction Materials

20 Vp-p max.
 4000+/-500Hz
 72dB min. at 3Vp-p 10cm 4KHz 25 °C
 1mA at 3Vp-p
 15000+/-30% pF at 100Hz 1Vrms
 -40 °C to +105 °C
 -40 °C to +120 °C
 2 soldering pads, Sn plated Brass
 Plastic, LCP Vectra E130i
 Ni Alloy Disc N42

- Weight (Typical)
- Reliability

Description
Case
Diaphragm

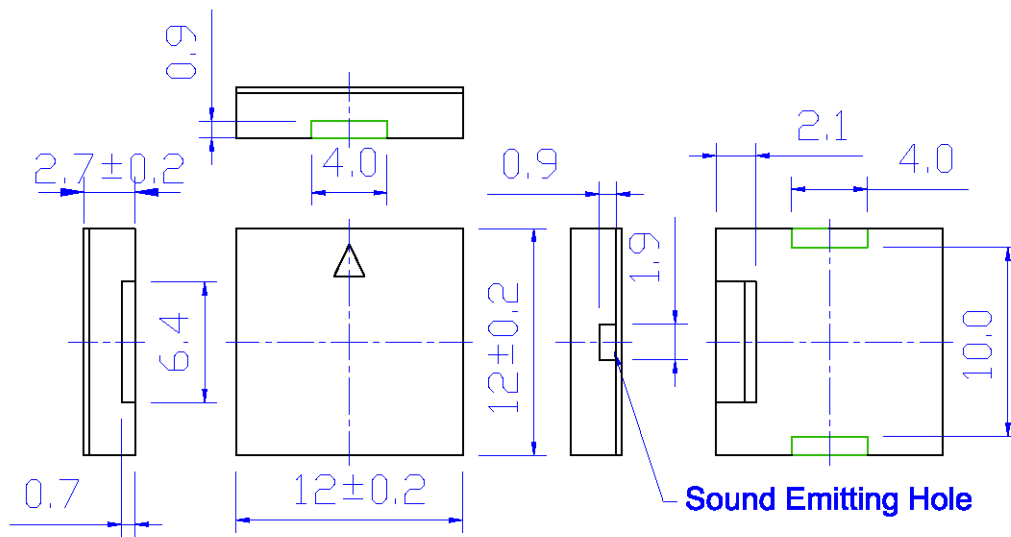
- *Life Test
- *High Temperature
- *Low Temperature
- *Humidity
- *Thermal Shock
- *Vibration
- *Shock
- *Drop Test
- *Soldering Heat Resistance
- **Solderability

0.8g
 At 3 Vp-p, 1 minutes ON 1 minutes OFF in room temperature continuously for 1000 hours
 No function at +120+/-2 °C for 240 hours; Function at +105+/-2 °C for 240 hours
 No function at -40+/-2 °C for 240 hours; Function at -40+/-2 °C for 240 hours
 +40 +/-2 °C, 95+/-5%RH, 240 hours
 -40 +/-2 °C 0.5 hr @ +25+/-2 °C 0.25 hr @ +105+/-2 °C 0.5 hr @ +25+/-2 °C 0.25 hr. Temperature
 Go up or Drop time is 0.5 hr. 3 hrs per 1 cycle. Total is 5 cycles
 1.5mm with 10 to 50Hz of vibration frequency to each of 3 perpendicular directions for 2 hours
 980m/s² (=100g) shock for each mutually perpendicular directions, half sine wave, 3 times
 each
 Dropped naturally from 750mm height onto the surface of 10mm wooden board. 2 directions –
 upper and side of the part are applied
 Samples put through reflowing soldering oven 2 twice
 Samples put on PCB with solder paste through reflowing soldering oven 1 times

Warranty

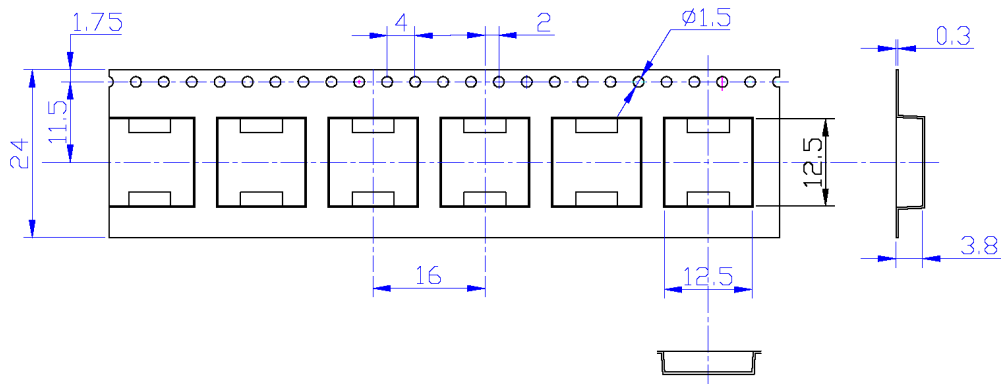
*All specifications must be satisfied after the test (Recovery:2 to 4 hrs of recovery under the standard condition after the removal from test chamber).
 **90% min. soldering pads shall be with solder.(except the edge of pad)

Dimensions (Unit: mmm)



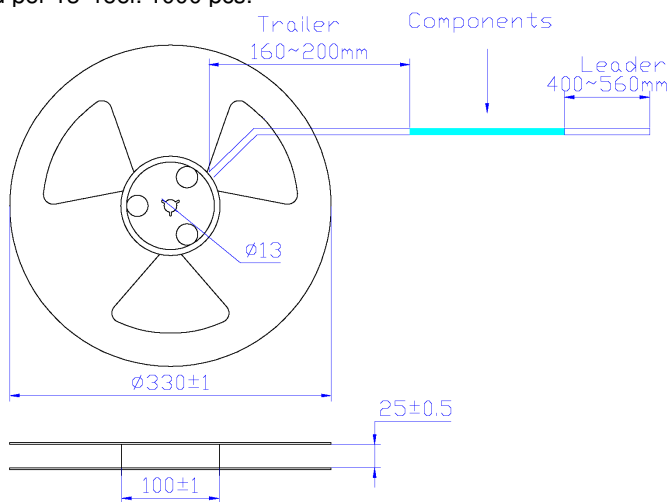
All specifications are subject to change without notice

Tape & Reel Dimensions (Unit:mm)



NOTE:

- 1.10 sprocket hole pitch cumulative tolerance +/-0.20mm.
- 2.Carrier camber not to exceed 1 mm in 100 mm.
3. All dimensions meet EIA-481-2-A requirements.
4. Thickness: 0.40+/-0.05 mm.
5. Component loaded per 13" reel: 1000 pcs.



Recommend Reflowing Profile

