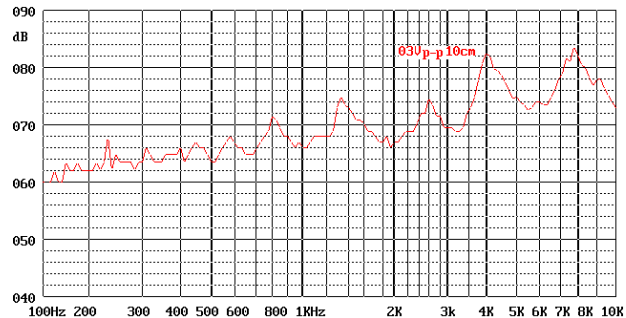


Description**CSPT13A03-4.0F:**

Chinasound SMD Piezo Transducer 12.8(<13mm) length, type A(=12.8 mm width, 2.5mm height), 3Vp-p rated voltage – 4.0KHz resonant frequency, lead Free reflowing solderable and RoHS compliant

◆ **RoHS compliant**

- ◆ Reliable Solid State Piezoelectric Technology
- ◆ Corrosion Resistance Diaphragm
- ◆ Flame Retardant Plastic
- ◆ Tape and reel packaging for auto mounting

Picture**Frequency Response Curve****Specification**

Operating Voltage
Operating Frequency
Typical Sound Output
Rated Current
Capacitance
Operating Temperature
Storage Temperature
Termination
Construction Materials
Weight (Typical)
Reliability

Description
Case
Diaphragm

*Life Test

*High Temperature

*Low Temperature

*Humidity

*Thermal Shock

*Vibration

*Shock

*Drop Test

*Soldering Heat Resistance

**Solderability

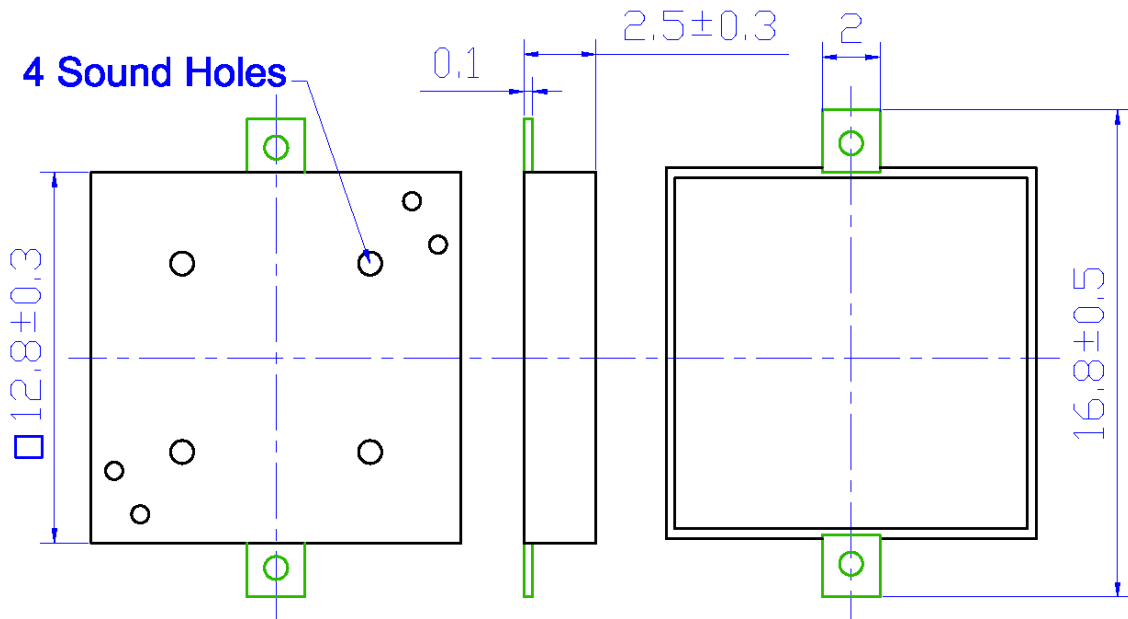
20 Vp-p max.
4000+/-500Hz
75dB min. at 3Vp-p 10cm 4KHz 25 °C
1mA at 3Vp-p
15000+/-30% pF at 100Hz 1Vrms
-40 °C to +105 °C
-40 °C to +120 °C
2 soldering pads, Sn plated Brass
Plastic, LCP Vectra E130i
Ni Alloy Disc N42
0.9g
At 3 Vp-p, 1 minutes ON 1 minutes OFF in room temperature continuously for 1000 hours
No function at +120+/-2 °C for 240 hours; Function at +105+/-2 °C for 240 hours
No function at -40+/-2 °C for 240 hours; Function at -40+/-2 °C for 240 hours
+40+/-2 °C, 95+/-25%RH, 240 hours
-30+/-2 °C 0.5 hr @ +25+/-2 °C 0.25 hr @ +105+/-2 °C 0.5 hr @ +25+/-2 °C 0.25 hr. Temperature
Go up or Drop time is 0.5 hr. 3 hrs per 1 cycle. Total is 5 cycles
1.5mm with 10 to 50Hz of vibration frequency to each of 3 perpendicular directions for 2 hours
980m/s² (=100g) shock for each mutually perpendicular directions, half sine wave, 3 times each
Dropped naturally from 750mm height onto the surface of 10mm wooden board. 2 directions – upper and side of the part are applied
Samples put through reflowing soldering oven 2 times
Samples put on PCB with solder paste through reflowing soldering oven 1 times
For a period of one (1) year from date of manufacture under normal operations

Warranty

*All specifications must be satisfied after the test (Recovery:2 to 4 hrs of recovery under the standard condition after the removal from test chamber).

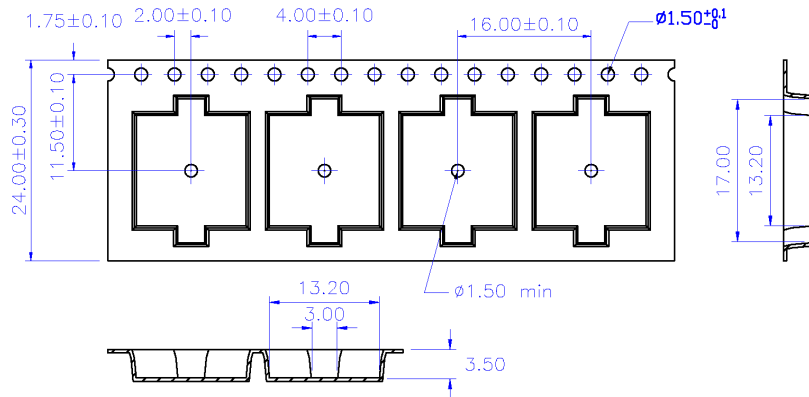
**90% min. soldering pads shall be with solder.(except the edge of pad)

Dimensions (Unit:mm)



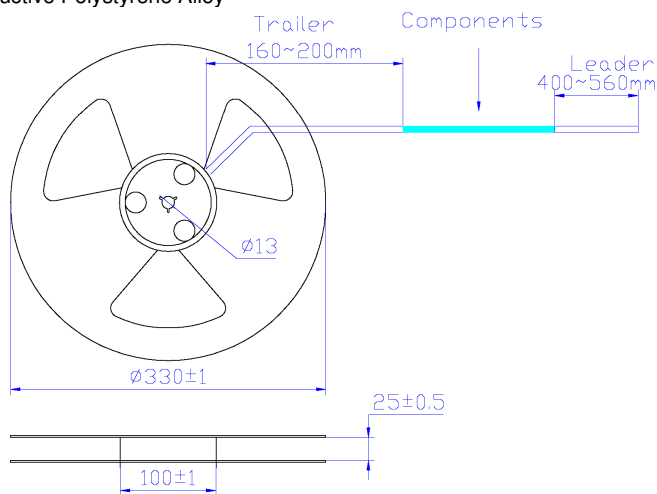
All specifications are subject to change without notice

Tape & Reel Dimensions (Unit:mm)

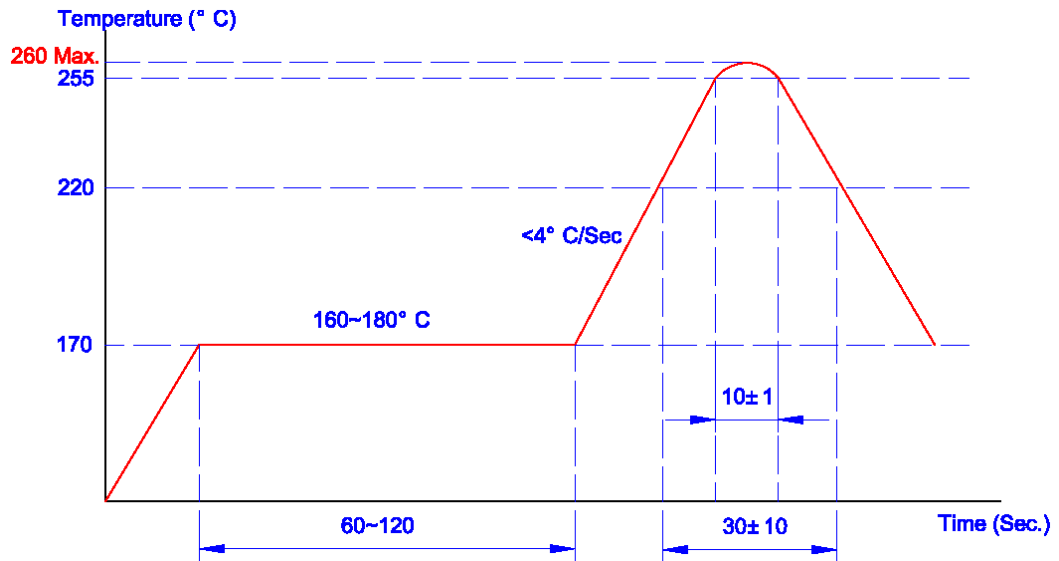


NOTE:

1. 10 sprocket hole pitch cumulative tolerance ± 0.20 mm.
2. Carrier camber not to exceed 1 mm in 250 mm.
3. All dimensions meet EIA-481-2-A requirements.
4. Thickness: 0.40 ± 0.05 mm.
5. Component loaded per 13" reel: 1000 pcs.
6. Material : Black Conductive Polystyrene Alloy



Recommend Reflowing Profile



All specifications are subject to change without notice