

MESSRS. : \_\_\_\_\_

AGENT : \_\_\_\_\_

**SPECIFICAION  
OF  
PYROELECTRIC PASSIVE  
INFRARED SENSOR**


MODEL NO. : RE200GE

PART NO. : \_\_\_\_\_

 **NIPPON CERAMIC CO., LTD.**

176-17 Hirooka, Tottori-shi, 689-1193 JAPAN  
TEL : +81-857-53-4666 FAX : +81-857-53-3532

APPROVED BY	CHECKED BY	DRAWN BY

MODEL NO. : RE200GE	DRAWING NO.	REV :	PAGE	 <b>NIPPON CERAMIC CO., LTD.</b>
PART NO. :		A	1 / 8	

Scope

This specification describes a pyroelectric passive infrared sensor supplied by NIPPON CERAMIC CO.,LTD.

Type of sensor

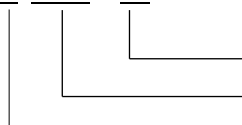
Balanced differential(series opposed type.)

Physical configuration


- 1) Package : TO-5 metal can with dimensions shown in Figure 1-c (Ni-plated)
- 2) Element geometry : Two sensitive areas 2.0 mm long, 1.0 mm wide and spaced 1.0 mm apart.
- 3) Element orientation : See Figure 1-b
- 4) Lead configuration : See Figure 1-c,1-d
- 5) Code :

Lot number is marked on top surface of detector.  
To show last one digit of the A.D. year and week of the year of a inspection completion, Nicera Identification code.

Example : 4 26 B



Nicera Identification code  
26<sup>th</sup> week  
Year 2014

MODEL NO. : RE200GE	DRAWING NO.	REV :	PAGE	 NIPPON CERAMIC CO., LTD.
PART NO. :		A	2 / 8	

Electrical characteristics (at 25 (+/-) degC)

1) Circuit configuration : Three-terminal sensor with source follower  
See Figure 2

2) Operating voltage : 2 ~ 10 V dc (Rs: 47kohm)

3) Source voltage : 0.3 ~ 1.5 V (Vd: 5V, Rs: 47kohm)

4) Signal output : Min. 2.5 Vp-p (Typ. 4.0 Vp-p)

Signal output is measured at chopper frequency of 1 Hz when connected to the amplifier of gain 72.5 dB (at 1 Hz) and submitted to the emission of Infrared energy of 13 microW/cm<sup>2</sup> from 420 K Black Body.

See Figure 3

5) Noise output : Max. 250 mVp-p (Typ. 90 mVp-p)

Noise output shall be measured for 20 seconds when connected to the amplifier of gain 72.5 dB (at 1 Hz) and shut out from Infrared energy.

See Figure 3

6) Balance output : Max. 15 %

$$\left[ \frac{Bo}{|SA+SB|} \right] \leq 0.15$$

Bo : Balance output


SA : Signal output on Element A

SB : Signal output on Element B

Balance output is measured at chopper frequency of 1 Hz when connected to the amplifier of gain 72.5 dB (at 1 Hz) and submitted to the emission of Infrared energy of 13 microW/cm<sup>2</sup> from 420 K Black Body.

See Figure 3

7) Frequency response : 0.3 Hz to 3.0 Hz / (+/-) 10 dB

MODEL NO. : RE200GE	DRAWING NO.	REV : A	PAGE 3 / 8	 NIPPON CERAMIC CO., LTD.
PART NO. :				

### Optical characteristics


- 1) Field of view : 138 ° from center of element on axis X  
: 125 ° from center of element on axis Y  
: See Figure 1-a
- 2) Filter substrate : Silicon
- 3) Cut on (5 %T ABS) : 5.0 (+/-) 0.5 micron
- 4) Transmission :  $\geq$  70 % average 7 to 14 micron

### Environmental requirements

- 1) Operating temperature : -30 degC to +70 degC
- 2) Storage temperature : -40 degC to +80 degC
- 3) Relative humidity :  
The sensor shall operate without increase in noise output when exposed to 90 ~ 95 % RH at 30 degC continuously.
- 4) Hermetic seal :  
The sensor shall be sealed to withstand a vacuum of 21.28 kPa.

### RoHS compliance

This product conforms to the RoHS Directive in force at the date of issuance of this Specification Sheet.

MODEL NO. : RE200GE	DRAWING NO.	REV : A	PAGE 4 / 8	 <b>NIPPON CERAMIC CO., LTD.</b>
PART NO. :				

### Configuration (Figure 1)

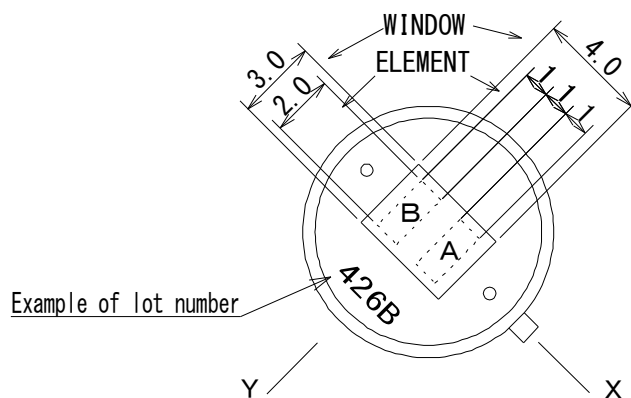
#### Field of view

(Figure 1-a)



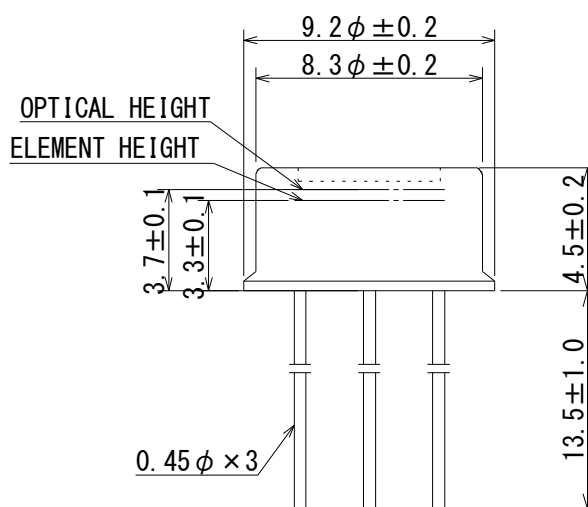
#### Top view

(Figure 1-b)



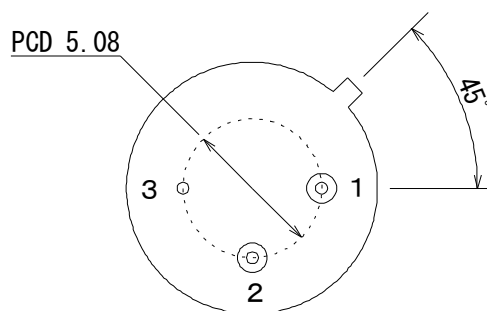
#### Side view

(Figure 1-c)



#### Base view

(Figure 1-d)

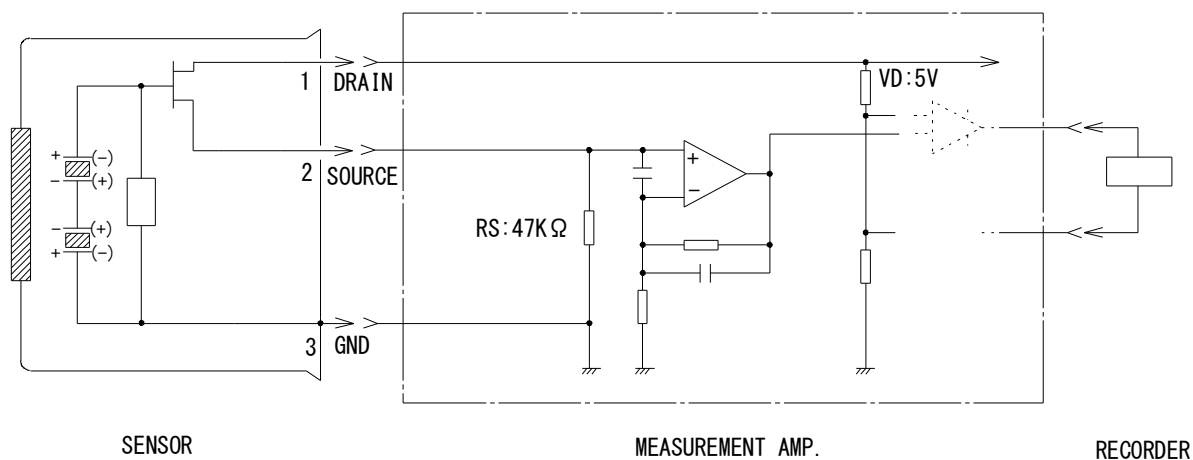


- 1: Drain
- 2: Source
- 3: Ground

unit : mm

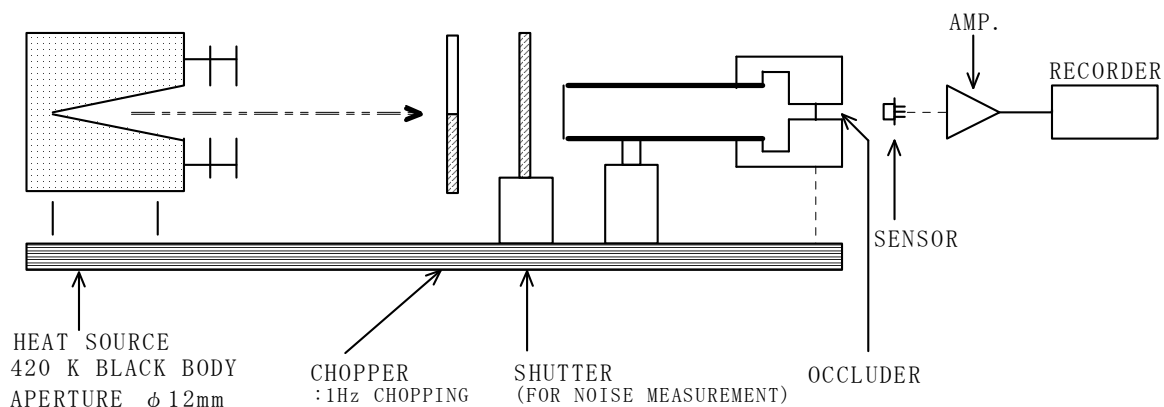
MODEL NO. : RE200GE	DRAWING NO.	REV : A	PAGE 5 / 8	
PART NO. :				

### Circuit configuration (Figure 2)

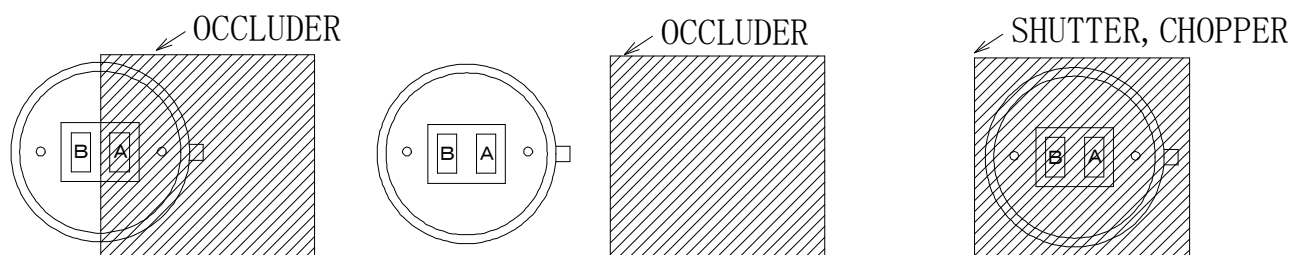


※ Measurement Amp.: Non-inverted type, gain 72.5 dB at 1 Hz , 0.4 to 2.7 Hz / -3 dB

### Test set-up block diagram (Figure 3)



#### Occluder position



Signal output

Balance output

Noise output

MODEL NO. : RE200GE	DRAWING NO.	REV : A	PAGE 6 / 8	
PART NO. :				

※ Notes

1.Design restrictions/precautions

If used for outdoor applications, be sure to apply suitable supplementary optical filter and drip-proof, anti-dew construction. This sensor is designed for indoor use.

in cases where secondary accidents due to operation failure or malfunctions can be anticipated, add a fail safe function to the design.

2.Usage restrictions/precautions

To prevent sensor malfunctions, operational failure or any deterioration of its characteristics, do not use this sensor in the following, or similar, conditions.

- a. In rapid environmental temperature changes.
- b. In strong shock or vibration.
- c. In a place where there are obstructing materials (glass,fog,etc.) Through which Infrared rays cannot pass within detection area.
- d. In fluid, corrosive gases and sea breeze.
- e. Continual use in high humidity atmosphere.
- f. Exposed to direct sun light or headlights of automobiles.
- g. Exposed to direct wind from a heater or air conditioner.


3.Assembly restrictions/precautions

Soldering \_\_\_\_\_

- a. Use soldering irons when soldering.
- b. Avoid keeping pins of this sensor hot for a long time as excessive heat may cause deterioration of its quality.(e.g. within 5 sec. at 350 degC)

Washing \_\_\_\_\_

- a. Be sure to wash out all flux after soldering as remainder may cause malfunctions.
- b. Use a brush when washing. Washing with an ultrasonic cleaner may cause operational failure.

MODEL NO. : RE200GE	DRAWING NO.	REV :	PAGE	 <b>NIPPON CERAMIC CO., LTD.</b>
PART NO. :		A	7 / 8	

#### 4. Handling and storage restrictions / precautions


To prevent sensor malfunctions, operational failure, appearance damage or any deterioration of its characteristics, do not expose this sensor to the following or similar, handling and storage conditions.

- a. Vibration for a long time.
- b. Strong shock.
- c. Static electricity or strong electromagnetic waves.
- d. High temperature and humidity for a long time.
- e. Corrosive gases or sea breeze.
- f. Dirty and dusty environments that may contaminate the optical window.

#### 5. Restrictions on product use

The product described in this document shall not be used or embedded to any downstream products of which manufacture, use and/or sales are prohibited under any applicable laws and regulations.

Sensor troubles resulting from misuse, inappropriate handling or storage are not the manufacturer's responsibility.

MODEL NO. : RE200GE	DRAWING NO.	REV : A	PAGE 8 / 8	 <b>NIPPON CERAMIC CO., LTD.</b>
PART NO. :				