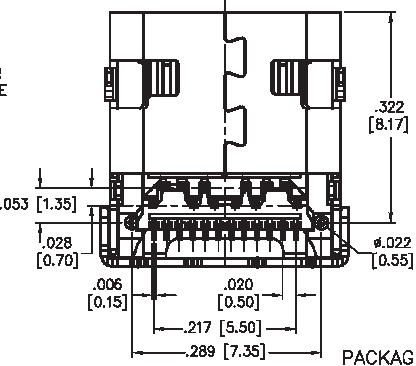
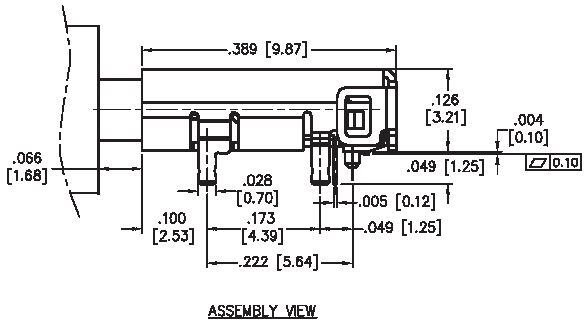
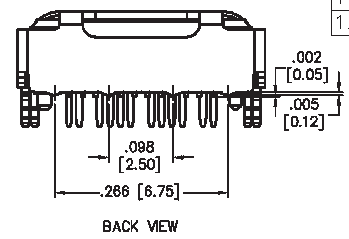
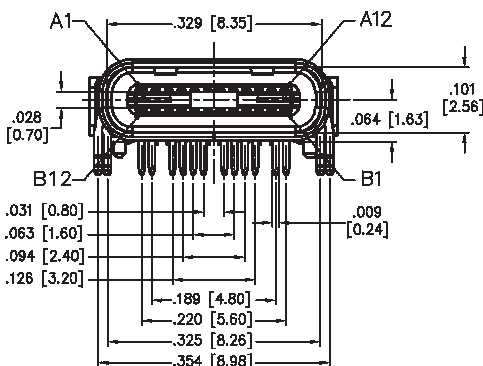
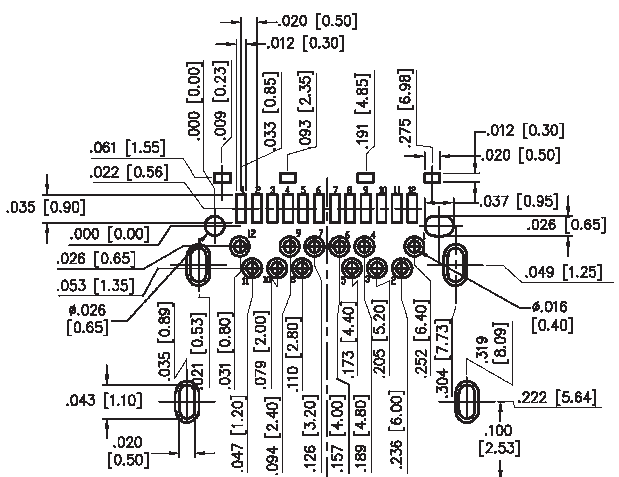
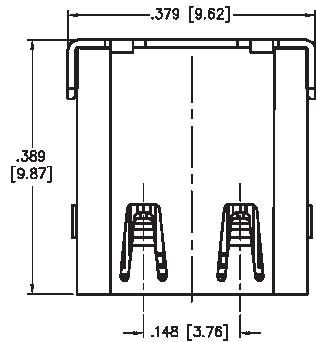


APPROVED: _____
 DATE: _____ TITLE: _____

Rev	AWO #	Description	Date	Appr
-		RELEASED	12/12/14	
A		UPDATED SHAPE	8/21/15	HR/WY

	A	B
1	GND	12 GND
2	TX+	11 RX-
3	TX-	10 RX+
4	VBUS	9 PWR
5	CC	8 SBU2
6	D-	7 D+
7	D+	6 D-
8	SBU1	5 Vconn
9	VBUS	4 PWR
10	RX+	3 TX+
11	RX-	2 TX-
12	GND	1 GND



SPECIFICATIONS:
 Material:
 Insulator: Hi-temp thermoplastic, rated UL 94V-0
 Insulator color: Black
 Contacts: Phosphor Bronze
 Shell: Copper Alloy
 Plating:
 Gold flash over Nickel underplate on contact area,
 Tin over Copper underplate on solder tails.
 Electrical:
 Operating voltage: 30 VAC RMS
 Current rating: 3 A
 Contact resistance: 40 mohms max
 Insulation resistance: 100 Mohms min.
 Dielectric withstanding: 100 VAC for 1 minute
 Mechanical:
 Insertion force: 5N~20N
 Withdrawal force: 8N~20N
 After 10,000 cycles Mating: 2N Min
 Temperature Rating:
 Operating temperature: -25°C to +85°C
 Environmental:
 Lead free, RoHS compliant.



UNLESS OTHERWISE SPECIFIED
 ALL DIMENSIONS ARE INCHES [MM]
 TOLERANCES: EXCEPT AS NOTED

INCHES	HOLES
.X ± .10	Ø.X ± .10
.XX ± .020	Ø.XX ± .015
.XXX ± .015	Ø.XXX ± .010

APPROVALS		DATE
DRAWN	AY	12/12/14
CHECKED	TW	12/12/14
APPROVED		

ADAM TECH
 909 Rahway Avenue, Union, NJ 07083
 Phone: 908-687-5000 Fax: 908-687-5710

TITLE: UNIVERSAL SERIAL BUS, TYPE C, FEMALE,
 RIGHT ANGLE, BLACK INSULATOR, TAPE & REEL

SIZE X	PART NO. USB-C31-S-RA-BK-T/R	REV. A
REF: S00097C	SCALE: NTS	SHEET 1 OF 1